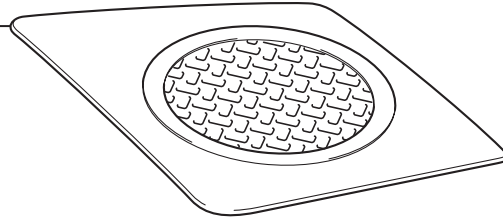


FRONT NO. 2 SPEAKER

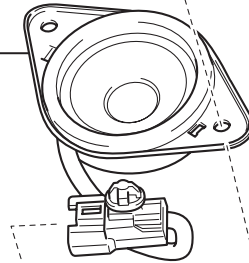
COMPONENTS

INSTRUMENT PANEL SPEAKER
PANEL SUB-ASSEMBLY



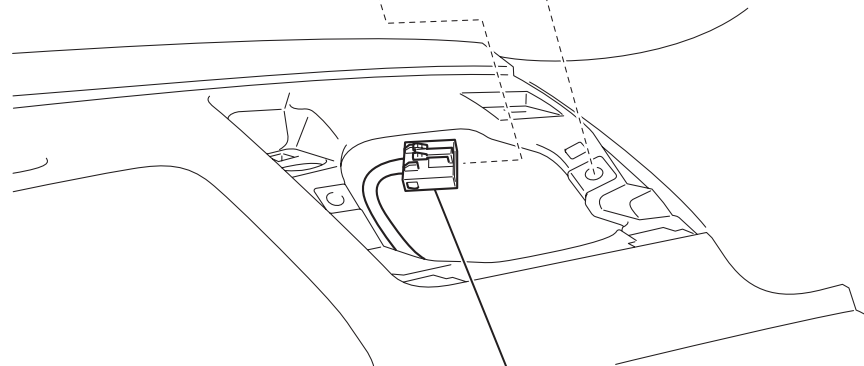
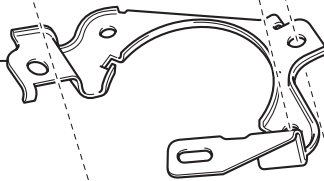
x2 **8.1 (85, 72 in.*lbf)**

FRONT NO. 2 SPEAKER
ASSEMBLY



2.5 (25, 22 in.*lbf)
x2

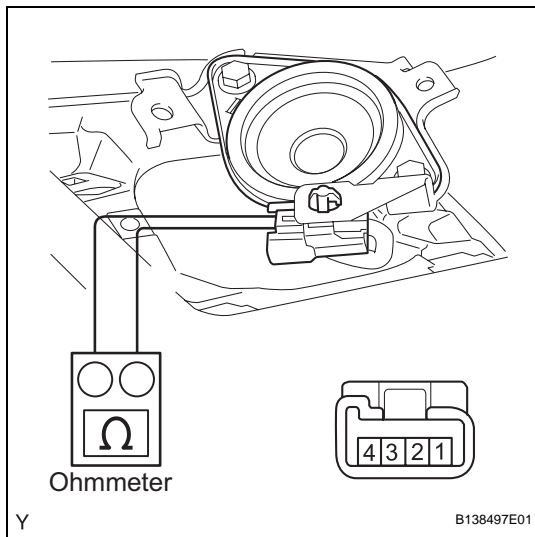
FRONT SPEAKER BRACKET



SPEAKER
CONNECTOR

N*m (kgf*cm, ft*lbf) : Specified torque

AV



ON-VEHICLE INSPECTION

1. INSPECT FRONT NO. 2 SPEAKER ASSEMBLY

HINT:

Remove interior parts so that the front No. 2 speaker can be seen.

- (a) Check the speaker installation.

OK:

The speaker is securely installed.

If the result is not as specified, reinstall the front No. 2 speaker.

- (b) Visually check the speaker.

OK:

The cone paper of the speaker is not torn.

If the result is not as specified, replace the front No. 2 speaker.

- (c) Check the resistance.

- (1) Disconnect the speaker connector.

- (2) Using an ohmmeter, measure the resistance between the terminals.

Standard resistance

Tester Connection	Specified Condition
3 - 4	Approximately 8 Ω

If the result is not as specified, replace the front No. 2 speaker.